

BAFCON

With automatic fan recognition and an intuitive touchscreen interface, setup and control of your Big Ass Fans is a breeze in any space. Operate your fans manually, or use integrated SmartSense technology to automatically match the speed of your fan to seasonal conditions for maximum energy savings and 24/7 comfort.



KEY FEATURES

- ▶ **Resistive, LED-backlit touchscreen** works reliably under industrial conditions
- ▶ **Intuitive SmartSense technology** auto-adjusts fan speed to seasonal modes
- ▶ **One centralized touchscreen controls multiple fans**
- ▶ **Onboard troubleshooting and fan diagnostics** make it easy to quickly identify and resolve any potential issues
- ▶ **BAFCon's universal, easy-to-install mount** attaches to walls or standard junction boxes

DISPLAY

RESISTIVE TOUCHSCREEN

CONTROLS

SMARTSENSE TECHNOLOGY
LIGHTING
OPERATE UP TO 24 FANS

COMMUNICATION

RJ45 CONNECTION

SAFETY

PASSWORD PROTECTION

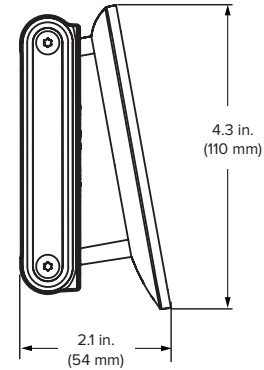
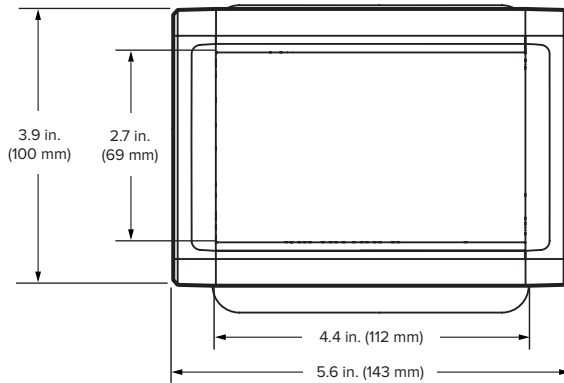


DISCOVER MORE ABOUT BAFCON

Learn more at bigassfans.com/controls/bafcon/ or call **877.BIG.FANS** for a free custom quote.

BAFCON

VERSATILE SMART CONTROLLER



Construction Features

Power Supply ¹	Display	Housing	Mounting	Operating Temperature	Accessories
Powered by fan drive with preassembled cable	Resistive touchscreen 24-bit RGB interface LED backlight	Sleek metal and ABS housing	Mounts to wall or standard outlet box	32° to 122° F (0° to 50° C)	Remote power supply kit

¹ Power adapter and additional wiring required for Basic 6, Powerfoil 8, and 0–10 V installations.

Control Features

SmartSense Technology	Communication Protocol	Controls	Light Controls	Safety and Protection
Automatically adjusts fan speed based on seasonal conditions to minimize ceiling-to-floor temperature differential for enhanced destratification in winter and automatic cooling in summer	RJ45 connection between fan drive and controller	On/Off Speed Fan Direction Control up to 24 fans (individually or as a group) BACnet-compatible	0–10 V Dimming	Multi-level password protection ensures fans run efficiently while preventing unauthorized personnel from freely adjusting settings



Lead times may vary. See fan warranty for coverage information.



USA
BIGASSFANS.COM
877-244-3267

CANADA
BIGASSFANS.COM
844-924-4277

AUSTRALIA
BIGASSFANS.COM/AU
1300 244 277

SINGAPORE
BIGASSFANS.COM/SG
65 6709 8500