

POWERFOIL D[®]

We've raised the bar on direct-drive technology with our quietest, most efficient industrial fan ever. The groundbreaking Powerfoil D delivers airflow that radically changes the way people feel and work within your space. Rated IP66 for maximum protection in demanding environments, it takes on hot, gritty conditions with ease and has the specs to excel in any facility where comfort and quiet are valued.



KEY FEATURES

- ▶ **Six aluminum airfoils** with winglets and safety restraints
- ▶ **Built-in accelerometer**, safety cables, and Grade 8 hardware
- ▶ **Building automation integration** with 0–10 VDC, Modbus, and BACnet capability
- ▶ **Permanent magnet motor** and VFD reduce noise, EMI, and energy usage
- ▶ **IP66-rated protection** against dust, water, and vapors for indoor or outdoor use
- ▶ **Available LED** offers ultra-bright, fully dimmable lighting

DIAMETER

8–24 FEET
(2.4–7.3 METERS)

MOTOR

PERMANENT MAGNET
DIRECT-DRIVE

MOUNTING

I-BEAMS, BAR JOISTS,
SOLID BEAMS, AND PURLINS

WARRANTY

UP TO
15 YEARS
MECHANICAL

UP TO
15 YEARS
ELECTRICAL



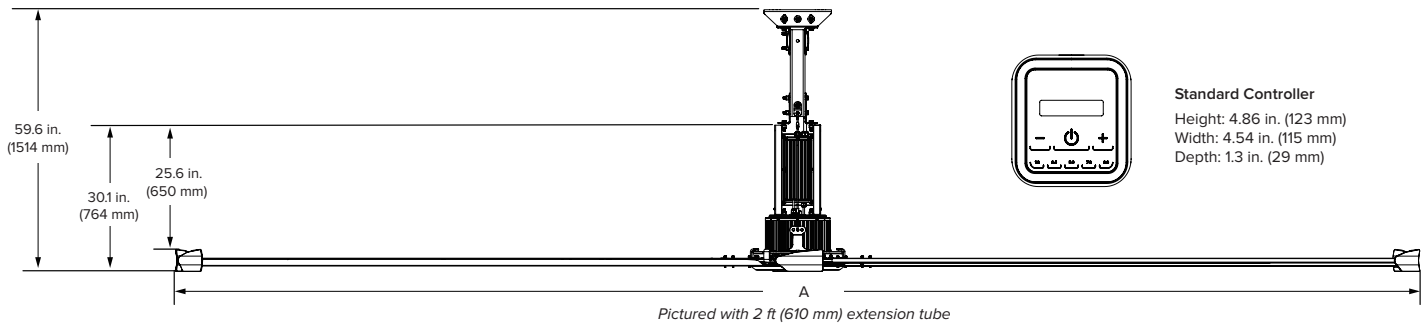
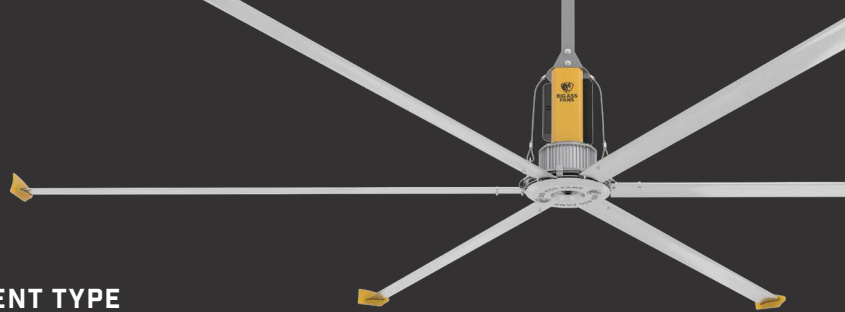
BIG ASS FANS[®]

DISCOVER MORE ABOUT POWERFOIL D

Learn more at bigassfans.com
or call **877.BIG.FANS** for a free custom quote.

POWERFOIL D®

THE INDUSTRIAL FAN THAT'S THE STRONG, SILENT TYPE



Technical Specifications

| Diameter (A) | Weight ¹ | Max Speed | Input Power and Required Breaker | Airfoil Clearances ² | Max Operating Temperature |
|---------------|---------------------|-----------|--|---|---------------------------|
| 8 ft (2.4 m) | 212 lb (96 kg) | 200 RPM | 200–277 VAC, 50/60 Hz, 1 Φ, 10 A 200–277 VAC, 50/60 Hz, 3 Φ, 10 A 380–480 VAC, 50/60 Hz, 3 Φ, 10 A | 2 ft (0.6 m) on sides 4 ft (1.2 m) below ceiling | 131°F (55°C) |
| 10 ft (3 m) | 220 lb (100 kg) | 145 RPM | | | |
| 12 ft (3.6 m) | 227 lb (103 kg) | 145 RPM | 200–277 VAC, 50/60 Hz, 1 Φ, 10 A 200–277 VAC, 50/60 Hz, 3 Φ, 10 A 380–480 VAC, 50/60 Hz, 3 Φ, 10 A | 2 ft (0.6 m) on sides 5 ft (1.5 m) below ceiling | |
| 14 ft (4.3 m) | 235 lb (107 kg) | 120 RPM | | | |
| 16 ft (4.9 m) | 242 lb (110 kg) | 108 RPM | 200–277 VAC, 50/60 Hz, 1 Φ, 15 A 200–277 VAC, 50/60 Hz, 3 Φ, 15 A 380–480 VAC, 50/60 Hz, 3 Φ, 10 A | 2 ft (0.6 m) on sides 6 ft (1.8 m) below ceiling | |
| 18 ft (5.5 m) | 273 lb (124 kg) | 94 RPM | | | |
| 20 ft (6.1 m) | 280 lb (127 kg) | 84 RPM | 200–277 VAC, 50/60 Hz, 1 Φ, 15 A 200–277 VAC, 50/60 Hz, 3 Φ, 15 A 380–480 VAC, 50/60 Hz, 3 Φ, 10 A | 2 ft (0.6 m) on sides 7 ft (2.1 m) below ceiling | |
| 24 ft (7.3 m) | 295 lb (134 kg) | 64 RPM | | | |

Construction Features

| Airfoils | Motor and Drive | Certifications | Mounting | Multi-Point Safety ³ | Colors |
|---|---|---|--|--|--|
| Six patented Powerfoil airfoils (mill finish) Powerfoil winglets eliminate wind noise (BAF yellow) | Permanent magnet motor provides virtually silent operation and optimum efficiency Rated IP66 | UL Standard 507 and CSA Standard 22.2 No. 113 Intertek CE | Standard upper mount installs to I-beams and bar joists Extension tubes available in 1, 2, 3, 4, 5, or 10 ft lengths (0.3, 0.6, 0.9, 1.2, 1.5, or 3 m lengths) Optional kits allow for mounting to solid beams and purlins | Double safety cable system, airfoil retainers, hub safety clips, Grade 8 hardware, fire relay, guy wires, and airfoil restraint system | Standard colors are silver and yellow. Individualize your fan with one of our classic color upgrades, or work with our design consultants to create a shade that's all your own. |

Controls

| Standard Controller | Integrations | BAFCon Upgrade ⁴ |
|---|---|---|
| Made from durable UV-resistant materials Rated IP55 Intuitive touchscreen interface On/Off and variable speed control Password protection Powered by fan drive | Building automation systems (Modbus-RTU protocol) 0–10 V control Fire suppression systems | Integrated SmartSense technology automatically adjusts fan speed based on seasonal conditions 24-bit color LCD display with resistive touchscreen protected in sleek metal and ABS housing Powered by fan drive |

Standard Controller



Lead times may vary. See full warranty for coverage information.

¹ Weight does not include mount or extension tube.

² Measure the distance from the tip of the winglet to the ceiling or major obstruction.

³ Airfoil restraint system comes standard on 20–24 ft (6–7.3 m) fans and is an option for smaller diameter fans. The fire relay must be wired during install if required by local code. Guy wires are included with fans that have extension tubes 4 ft (1.2 m) or longer.

⁴ Optional upgrade available; ships separately.